



Geotextile Sand Filter

Washington
Design & Installation Manual



eljen
CORPORATION

Innovative Onsite Products & Solutions Since 1970

April 2016
www.eljen.com

Table of Contents

SUBJECT	PAGE
GLOSSARY OF TERMS.....	3
GSF SYSTEM DESCRIPTION	4
1.0 DESIGN AND INSTALLATION	5
2.0 TRENCH INSTALLATION SIZING AND GUIDELINES.....	9
3.0 BED INSTALLATION SIZING AND GUIDELINES	12
4.0 DOSING DISTRIBUTION GUIDANCE	15
5.0 PRESSURE DISTRIBUTION GUIDANCE.....	15
6.0 SYSTEM VENTILATION.....	16
7.0 INSPECTION/MONITORING PORT.....	19
8.0 GSF INSPECTION CHECK LIST	20
GSF DRAWINGS AND TABLES	
DRAWINGS	
FIGURE 1: GSF SYSTEM OPERATION	4
FIGURE 2: TYPICAL A42 GSF CROSS SECTION	5
FIGURE 3: TYPICAL A66 GSF CROSS SECTION	5
FIGURE 4: VERTICAL SEPARATION TO RESTRICTIVE LAYER	7
FIGURE 5: PLAN VIEW –TRENCH SYSTEM.....	10
FIGURE 6: SECTION VIEW – TRENCH SYSTEM – LEVEL SITE.....	10
FIGURE 7: SECTION VIEW – TRENCH SYSTEM – SLOPING SITE	10
FIGURE 8: PLAN VIEW – BED SYSTEM.....	13
FIGURE 9: SECTION VIEW – BED SYSTEM	13
FIGURE 10: PRESSURE PIPE PLACEMENT	15
FIGURE 11: CONTOURED TRENCH PRESSURE DISTRIBUTION.....	16
FIGURE 12: VENT LAYOUTS FOR GRAVITY AND LOW PRESSURE SYSTEMS	17
FIGURE 13: GSF WITH 4” VENT EXTENDED TO CONVENIENT LOCATION	18
FIGURE 14: INSPECTION PORT FOR SAND-SOIL INTERFACE	19
TABLES	
TABLE 1: SPECIFIED SAND SIEVE REQUIREMENTS.....	3
TABLE 2: MAXIMUM HYDRAULIC LOADING RATE	8

Glossary of Terms

A42 Module	48" x 24" x 7" (L x W x H)
A66 Module	48" x 24" x 6" (L x W x H)
Cover Fabric	The geotextile cover fabric (provided by manufacturer) that is placed over the GSF modules.
Design Flow	The estimated peak flow that is used to size a GSF system is 120 gallons per day per Bedroom.
GSF	The Eljen Geotextile Sand Filter Modules and the 6-inch sand layer at the base and 6 inches along the sides of the modules.
GSF Module	The individual module of a GSF system. The module is comprised of a cuspated plastic core and corrugated geotextile fabric.
Specified Sand	To ensure proper system operation, the system MUST be installed using ASTM C33 Sand. ASTM C33 sand will have less than 10% passing the #100 Sieve and less than 5% passing the # 200 sieve. Ask your material supplier for a sieve analysis to verify that your material meets the required specifications.

TABLE 1: SPECIFIED SAND SIEVE REQUIREMENTS

ASTM C33 SAND SPECIFICATION		
Sieve Size	Sieve Square Opening Size	Specification Percent Passing (Wet Sieve)
3/8 inch	9.52 mm	100
No. 4	4.76 mm	95 - 100
No. 8	2.38 mm	80 - 100
No. 16	1.19 mm	50 - 85
No. 30	590 µm	25 - 60
No. 50	297 µm	5 - 30
No. 100	149 µm	0 - 10
No. 200	75 µm	0 - 5

GSF System Description

Primary Treatment Zone

- Perforated pipe is centered above the GSF module to distribute septic effluent over and into corrugations created by the cusped core of the geotextile module.
- Septic effluent is filtered through the Bio-Matt fabric. The module's unique design provides increased surface area for biological treatment that greatly exceeds the module's footprint.
- Open air channels within the module support aerobic bacterial growth on the modules geotextile fabric interface, surpassing the surface area required for traditional absorption systems.
- An anti-siltation geotextile fabric covers the top and sides of the GSF module and protects the Specified Sand and soil from clogging, while maintaining effluent storage within the module.

Secondary Treatment Zone

- Effluent drips into the Specified Sand layer and supports unsaturated flow into the native soil. This Specified Sand/soil interface maintains soil structure, thereby maximizing the available absorption interface in the native soil. The Specified Sand supports nitrification of the effluent, which reduces oxygen demand in the soil, thus minimizing soil clogging from anaerobic bacteria.
- The Specified Sand layer also protects the soil from compaction and helps maintain cracks and crevices in the soil. This preserves the soil's natural infiltration capacity, which is especially important in finer textured soils, where these large channels are critical for long-term performance.
- Native soil provides final filtration and allows for groundwater recharge.

FIGURE 1: GSF SYSTEM OPERATION

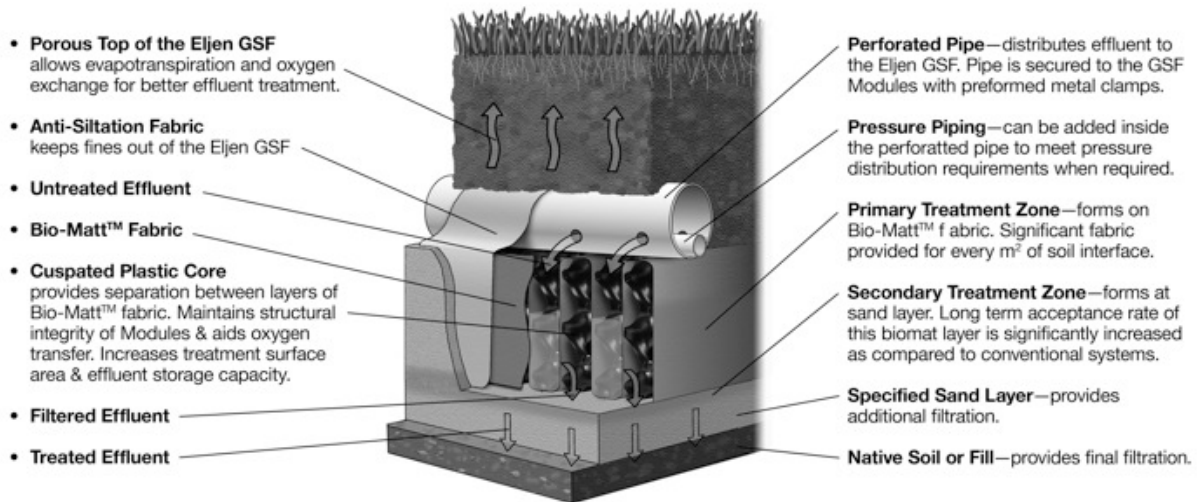
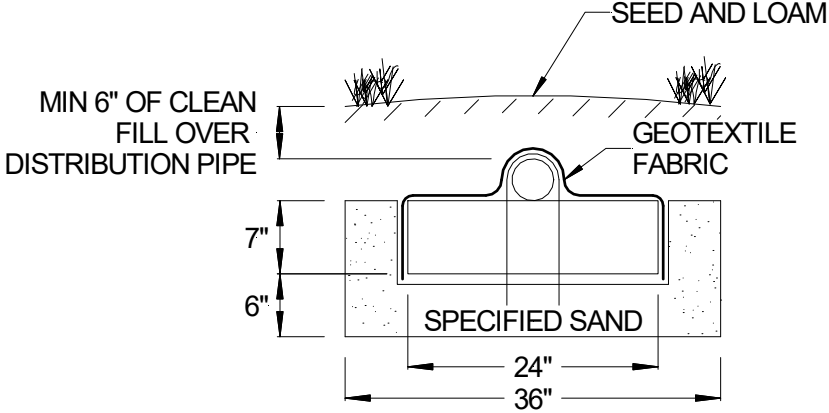
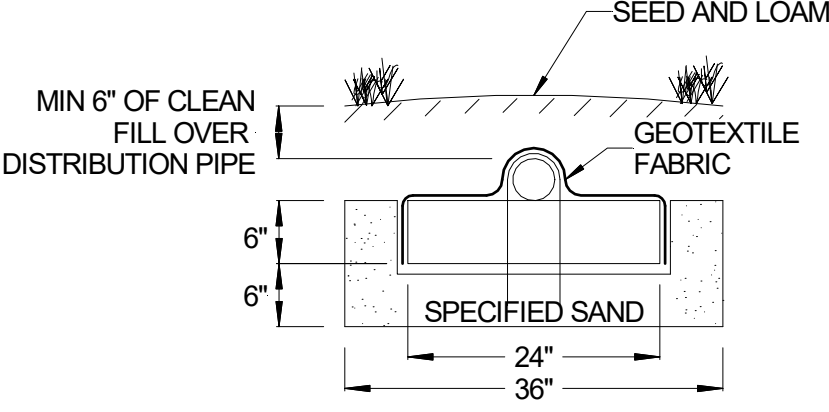


FIGURE 2: TYPICAL A42 GSF CROSS SECTION



A42 MODULE (L x W x H) 48" x 24" x 7"

FIGURE 3: TYPICAL A66 GSF CROSS SECTION



A66 MODULE (L x W x H) 48" x 24" x 6"

All systems are required to have a minimum of:

- 6 inches of Specified Sand is at the edges of the GSF module.
- 6 inches of Specified Sand is at the beginning and end of each GSF Row.
- 6 inches of Specified Sand is directly below the GSF module.
- Minimum 6 inches of native soil fill above the module.

1.0 Design and Installation

1.1 REQUIREMENTS: GSF systems must meet the local rules and regulations except as outlined in this manual. The Washington Regulations WAC 246-272A and the local regulations will be referred to as the *guidelines*. The designs in this manual are guided by the design instructions for Treatment Level D in the guidelines.

The sizing charts apply to residential systems only and are found in section 1.16. Please contact Eljen's Technical Resource Department at 1-800-444-1359 for design information on commercial systems.

1.2 SPECIFIED SAND SPECIFICATION FOR GSF SYSTEMS: The sand immediately under, between rows and around the perimeter of the GSF system must meet **ASTM C33 SPECIFICATIONS, WITH LESS THAN 10% PASSING A #100 SIEVE AND LESS THAN 3% PASSING A #200 SIEVE**. Please place a prominent note to this effect on each design drawing. See Table 1 for more information on the sand and sieve specifications.

1.3 CONNECTIONS AND FITTINGS: Connections of lines to tanks and distribution boxes must be made using watertight mechanical seals. Use of any grouting material is not permitted.

1.4 PLACING GSF MODULES: The "Painted Stripe" on the GSF modules indicates the top of the module and is not intended to indicate the location of the distribution pipe. With the painted stripe facing up, all rows of GSF modules are set level, end to end on the Specified Sand layer. No mechanical connection is required between modules.

1.5 DISTRIBUTION: Gravity, pump to gravity or pressure distribution are acceptable when using the GSF System. All piping must meet the guidelines. A pressure manifold is placed inside the distribution pipe when using pressure distribution. Section 4.0 and 5.0 of this manual goes into details of how to construct the distribution network. All piping must meet state and local regulations. The minimum method of distribution is determined by the separation distance to ground water and soil type. Refer to Figure 4 on page 7 for more information.

1.6 COVER FABRIC: Geotextile cover fabric is provided by Eljen Corporation for all GSF systems. It is placed over the top and sides of the module rows to prevent long term siltation and failure. **Cover fabric substitution is not allowed.** Fabric should drape vertically over the pipe and must not block holes in the distribution pipe or be stretched from the top of the pipe to the outside edge of the modules. "Tenting" will cause undue stress on fabric and pipe.

1.7 BACKFILL & FINISH GRADING: Complete backfill with a minimum of 6 inches of clean porous fill measured from the top of the distribution pipe. Backfill exceeding 18 inches requires venting at the far end of the trench. Use well graded native soil fill that is clean, porous and devoid of large rocks. Do not use wheeled equipment over the system. A light track machine may be used with caution, avoiding crushing or shifting of pipe assembly. Divert surface runoff from the Effluent Disposal Area, (EDA). Finish grade to prevent surface ponding. Topsoil and seed system area to protect from erosion.

1.8 ADDITIONAL FACTORS EFFECTING RESIDENTIAL SYSTEM SIZE: Homes with expected higher than normal water usage may consider increasing the septic tank volume as well as incorporating a multiple compartment septic tank. Consideration for disposal area may be up-sized for expected higher than normal water use.

For example:

- Luxury homes, homes with a Jacuzzi style tubs, and other high use fixtures.
- Homes with known higher than normal occupancy.

1.0 Design and Installation

1.9 GARBAGE DISPOSALS: The use of a garbage disposal is not recommended as they can cause septic system problems by generating an increased amount of suspended solids, grease and nutrients.

However, if such units are proposed to be used, other measures should be taken to mitigate the increased nutrients to the field. Consult your local and state code for garbage disposal requirements. Eljen recommends an dual compartment tank or tanks in series. Consider upsizing the field for the additional biological load.

NOTE: Eljen requires the use of septic tank outlet effluent filters on all systems. Filters with higher filtration are recommended for systems with garbage disposals.

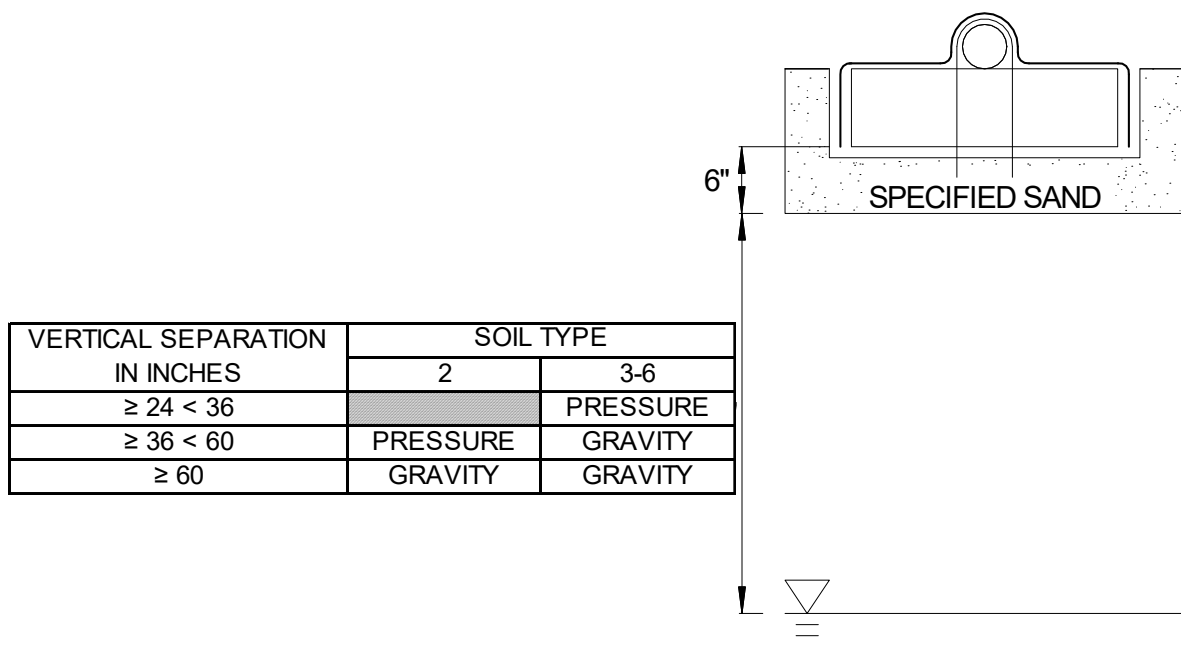
1.10 SEPTIC TANKS: Dual compartment tanks are required for all systems. Eljen supports this practice as it helps to promote long system life by reducing TSS and BOD to the effluent disposal area. Gas baffles and/or effluent filters are also required.

1.11 SEPTIC TANK FILTERS: Septic tank effluent filters are **REQUIRED** on the outlet end of septic tank. Filter manufactures require that filters be cleaned from time to time. Ask your installer or designer for specific cleaning requirements based on the type or make of the filter installed. Eljen requires the septic tank to be pumped every three years or as needed which would be a good time to check and conduct filter maintenance.

1.12 SYSTEM VENTING: It is strongly recommended to vent all systems that are over 18" below finished grade and systems beneath any surface condition that would not allow for surface air exchange with the system such as patios. See Section 6.0 for a more detailed explanation of venting GSF products.

1.13 VERTICAL SEPARATION TO GROUND WATER OR LIMITING LAYER AND DISTRIBUTION METHOD:

FIGURE 4: VERTICAL SEPARATION TO RESTRICTIVE LAYER



1.14 NUMBER OF GSF MODULES REQUIRED: Residential systems use a minimum of six (6) modules per bedroom. See Section 1.16 for more information on systems sizing.

1.15 BED SYSTEMS: Bed systems can be no wider than 10 feet and can be only designed in soil types 1, 2, 3, or fine sands.

1.0 Design and Installation

1.16 SIZING GSF SYSTEM FOR TRENCHES, BEDS & SAND MOUNDS:

TABLE 2: MAXIMUM HYDRAULIC LOADING RATE

Soil Type	Soil Textural Classification Description	Loading Rate for Residential Effluent Using Gravity or Pressure Distribution (gal./sf. ft./day)	Units Required per Bedroom in Bed Installations
1	Gravelly and very gravelly coarse sands, all extremely gravelly soils excluding Soil types 5 & 6, all soil types with greater than or equal to 90% rock fragments.		
2	Coarse sands.	2	6
3	Medium sands, loamy coarse sands, loamy medium sands.	1.6	
4	Fine sands, loamy fine sands, sandy loams, loams.	1.2	
5	Very fine sands, loamy very fine sands; or silt loams, sandy clay loams, clay loams and silty clay loams with a moderate structure or strong structure (excluding a platy structure).	0.6	
6	Other silt loams, sandy clay loams, clay loams, silty clay loams.	0.3	
7	Sandy clay, clay, silty clay and strongly cemented firm soils, soil with a moderate or strong platy structure, any soil with appreciable amounts of expanding clays.		

2.0 Trench Installation Sizing and Guidelines

Trench Example:

House size:	3 Bedrooms
Design Flow:	360 gpd
Soil Type:	3
Absorption Field Type:	Trench
Depth to Limiting Layer	64 inches
Distribution Type, from Figure 4:	Gravity or better

Calculate Minimum Absorption Area

Lookup loading rate from Table 2 and determine the loading rate:

Soil Type	Soil Textural Classification Description	Loading Rate for Residential Effluent Using Gravity or Pressure Distribution (gal./sf. ft./day)
3	Medium sands, loamy coarse sands, loamy medium sands.	1.6

Absorption Area: Design Flow ÷ Loading Rate

$$360 \text{ gpd} \div 1.6 \text{ gpd} / \text{ft}^2 = 225 \text{ ft}^2$$

Calculate Number of Modules Required

SQUARE FOOT PER MODULE	
A42	12
A66	12

Number of units required = Absorption Area ÷ Square Foot Per Module

Units required

$$225 \text{ ft}^2 \div 12 \text{ ft}^2 / \text{module} = 18.75 \text{ Modules}$$

Round to: 19 Modules

Calculate Minimum Trench Length

$$19 \text{ Units} \times 4 \text{ ft/unit} = 76 \text{ linear ft}$$

Trench Width

3 ft

Final Dimension Layout

(Note: System layout and number of rows will vary based on site constraints)

Min. Product Length	76 ft
(note: 6 inches of sand required at each end of trench which makes the minimum trench length 77 ft)	
Trench Width	3 ft
Minimum Number of Units	19 Modules
Min. System Area	231 ft ²

2.0 Trench Installation Sizing and Guidelines

FIGURE 5: PLAN VIEW – TRENCH SYSTEM

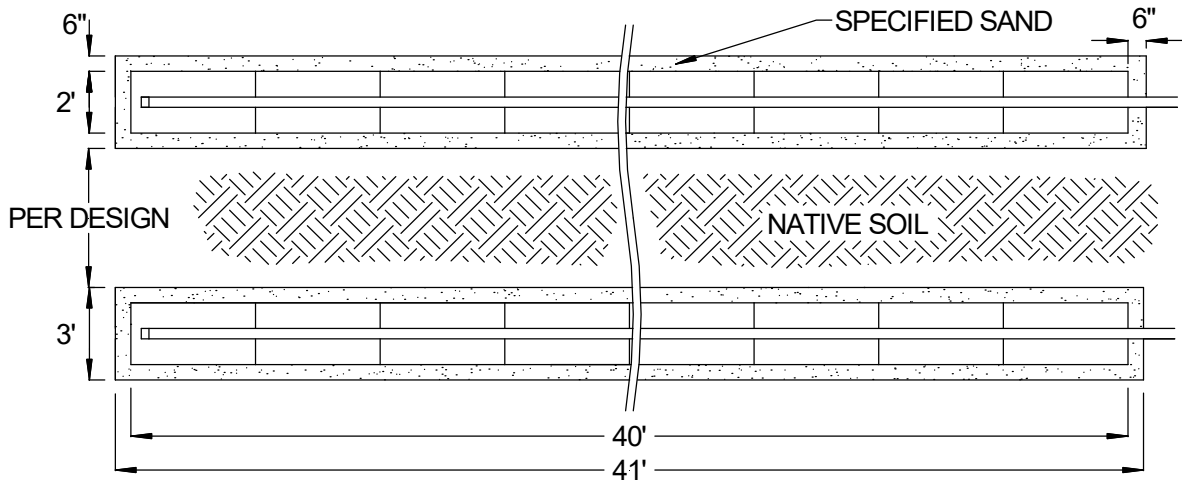


FIGURE 6: SECTION VIEW – TRENCH SYSTEM – LEVEL SITE

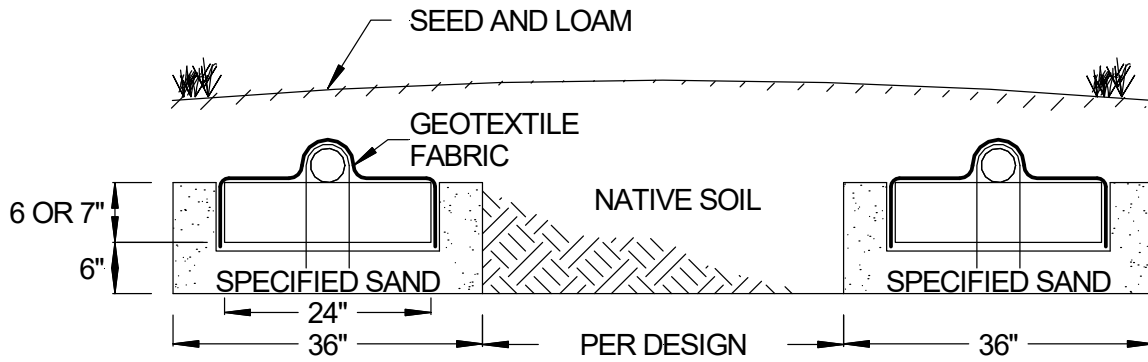
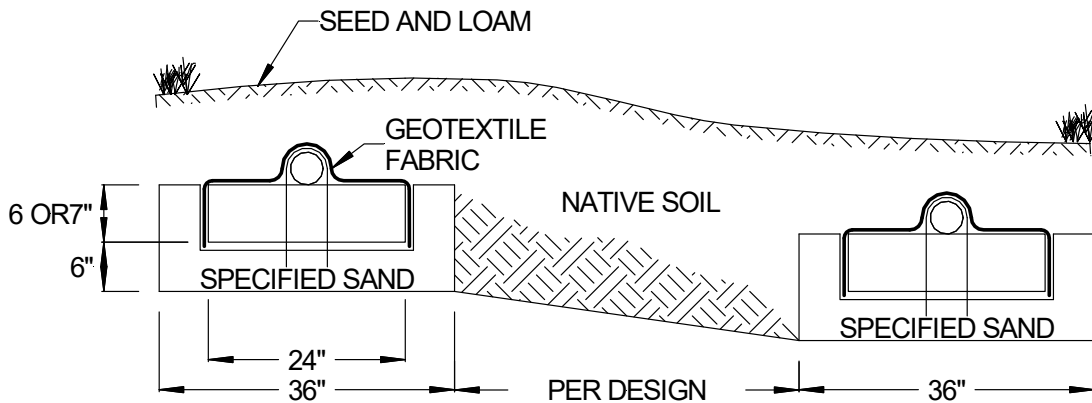


FIGURE 7: SECTION VIEW – TRENCH SYSTEM – SLOPING SITE



2.0 Trench Installation Sizing and Guidelines

1. Ensure all components leading to the GSF system are installed properly. Septic tank effluent filters are required with the GSF system.
2. Determine the number of GSF Modules required using the trench sizing example.
3. Prepare the site. Do not install a system in saturated ground or wet soils that are smeared during excavation. Keep machinery off infiltrative areas.
4. Plan all drainage requirements above (up-slope) of the system. Set soil grades to ensure that storm water drainage and ground water is diverted away from the absorption area once the system is complete.
5. Excavate the trench; scarify the receiving layer to maximize the interface between the native soil and specified sand.
6. Minimize walking in the trench prior to placement of the specified sand to avoid soil compaction.
7. Place specified sand in a 6" lift, stabilize by foot, a hand held tamping tool or a portable vibrating compactor. The stabilized height below the GSF module must be level at 6".
8. Place GSF modules with **PAINTED STRIPE FACING UP**, end to end on top of the specified sand along their 4-foot length.
9. A standard 4-inch perforated pipe, SDR 35 or equivalent, is centered along the modules 4-foot length. Orifices are set at the 4 & 8 o'clock position.
10. All 4-inch pipes are secured with manufacturers supplied wire clamps, one per module.
11. (Pressure Distribution Systems) Insert a pressure pipe (size per design and code) into the standard 4-inch perforated pipe. The pressure pipe orifices are set at the 12 o'clock position as shown in Figure 10. Each pressure lateral will have a drain hole at the 6 o'clock position. Each pressure lateral shall have a clean out at the end of the trench.
12. **Cover fabric substitution is not allowed.** The installer should lay the Eljen provided geotextile cover fabric lengthwise down the trench, with the fabric fitted to the perforated pipe on top of the GSF modules. Fabric should be neither too loose, nor too tight. The correct tension of the cover fabric is set by:
 - a. Spreading the cover fabric over the top of the module and down both sides of the module with the cover fabric tented over the top of the perforated distribution pipe.
 - b. Place shovelfuls of Specified Sand directly over the pipe area allowing the cover fabric to form a mostly vertical orientation along the sides of the pipe. Repeat this step moving down the pipe.
13. Place 6 inches of Specified Sand along both sides of the modules edge. A minimum of 6 inches of Specified Sand is placed at the beginning and end of each trench.
14. Complete backfill with a minimum of 6 inches of clean porous fill measured from the top of the distribution pipe. Backfill exceeding 18 inches requires venting at the far end of the trench. Use well graded native soil fill that is clean, porous and devoid of large rocks. Do not use wheeled equipment over the system. A light track machine may be used with caution, avoiding crushing or shifting of pipe assembly.
15. Divert surface runoff from the system. Finish grade to prevent surface ponding. Topsoil and seed system area to protect from erosion.

3.0 Bed Installation Sizing and Guidelines

Bed Example:

House size: 3 Bedrooms
 Design Flow: 360 gpd
 Soil Type: 3
 Absorption Field Type: Bed
 Depth to Limiting Layer: 64 inches
 Distribution Type, from Figure 4: Gravity or better

Calculate Minimum Absorption Area

Lookup loading rate from Table 2 and determine the loading rate:

Soil Type	Soil Textural Classification Description	Loading Rate for Residential Effluent Using Gravity or Pressure Distribution (gal./sf. ft./day)	Units Required per Bedroom in Bed Installations
3	Medium sands, loamy coarse sands, loamy medium sands.	1.6	6

Absorption Area: Design Flow ÷ Loading Rate

$360 \text{ gpd} \div 1.6 \text{ gpd} / \text{ft}^2 = 225 \text{ ft}^2$

Calculate Number of Modules Required

Lookup units required per bedroom from Table 2:

Soil Type	Soil Textural Classification Description	Loading Rate for Residential Effluent Using Gravity or Pressure Distribution (gal./sf. ft./day)	Units Required per Bedroom in Bed Installations
3	Medium sands, loamy coarse sands, loamy medium sands.	1.6	6

Units Required: Number of Bedrooms x Units Required per Bedroom

$3 \times 6 = 18 \text{ Units}$

Calculate Minimum Bed Length

Maintain a minimum of 2 rows in a bed system. (2 Rows for this example)

$18 \text{ Units} \div 2 \text{ Rows} = 9 \text{ Mods/Row}$

Round up 9 Mods/Row

Calculate Minimum Row Length

$9 \text{ Units} \times 4 \text{ ft/unit} = 37 \text{ ft per Row}$

Bed Width

Bed systems can be no wider than 10 feet.

Bed Width = Absorption Area ÷ Bed Length

2 Rows
 $225 \text{ ft}^2 \div 37 \text{ ft} = 6.1 \text{ ft, round to } 7 \text{ ft}$

Determine Lateral Spacing

Lateral to Lateral Spacing = Bed Width ÷ Number of Rows

2 Rows
 $7 \text{ ft} \div 2 \text{ rows} = 3.5 \text{ ft}$

Lateral to Edge Spacing = Lateral to Lateral Spacing ÷ 2

$3.5 \text{ ft} \div 2 = 1.75 \text{ ft}$

3.0 Bed Installation Sizing and Guidelines

Final Dimension Layout

(Note: System layout and number of rows will vary based on site constraints)

Bed Length	37 ft
Bed Width	7 ft
Minimum Number of Units	18 Units
Units per Row	9 units per row
Lateral to Lateral Spacing	3.5 ft
Lateral to Edge Spacing	1.75 ft
System Area	259 ft ²

FIGURE 8: PLAN VIEW – BED SYSTEM

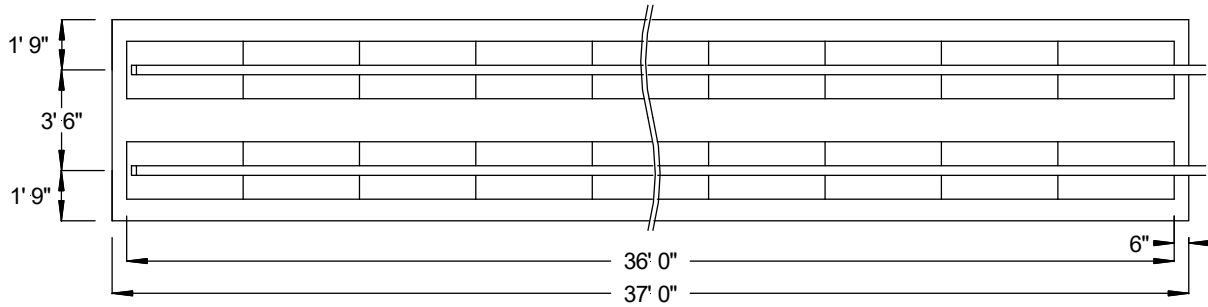
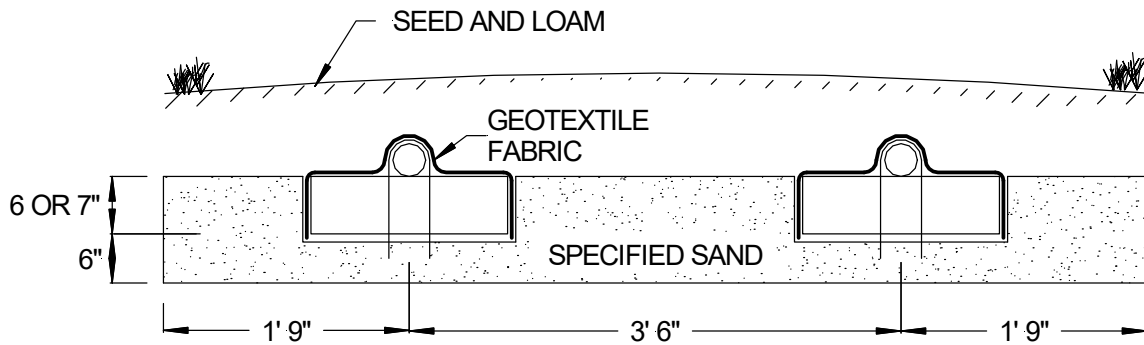


FIGURE 9: SECTION VIEW – BED SYSTEM



3.0 Bed Installation Sizing and Guidelines

1. Ensure all components leading to the GSF system are installed properly. Septic tank effluent filters are required with the GSF system.
2. Determine the number of GSF Modules required using the bed sizing example.
3. Prepare the site. Do not install a system in saturated ground or wet soils that are smeared during excavation. Keep machinery off infiltrative areas.
4. Plan all drainage requirements above (up-slope) of the system. Set soil grades to ensure that storm water drainage and ground water is diverted away from the absorption area once the system is complete.
5. Excavate the bed absorption area; scarify the receiving layer to maximize the interface between the native soil and specified sand.
6. Minimize walking in the absorption area prior to placement of the specified sand to avoid soil compaction.
7. Place specified sand in a 6" lift, stabilize by foot, a hand held tamping tool or a portable vibrating compactor. The stabilized height below the GSF module must be level at 6".
8. Place GSF modules with **PAINTED STRIPE FACING UP**, end to end on top of the specified sand along their 4-foot length.
9. A standard 4-inch perforated pipe, SDR 35 or equivalent, is centered along the modules 4-foot length. Orifices are set at the 4 & 8 o'clock position.
10. All 4-inch pipes are secured with manufacturers supplied wire clamps, one per module.
11. (Pressure Distribution Systems) Insert a pressure pipe (size per design and code) into the standard 4-inch perforated pipe. The pressure pipe orifices are set at the 12 o'clock position as shown in Figure 10. Each pressure lateral will have a drain hole at the 6 o'clock position. Each pressure lateral shall have a clean out at the end of each module row.
12. **Cover fabric substitution is not allowed.** The installer should lay the Eljen provided geotextile cover fabric lengthwise down the row, with the fabric fitted to the perforated pipe on top of the GSF modules. Fabric should be neither too loose, nor too tight. The correct tension of the cover fabric is set by:
 - a. Spreading the cover fabric over the top of the module and down both sides of the module with the cover fabric tented over the top of the perforated distribution pipe.
 - b. Place shovelfuls of Specified Sand directly over the pipe area allowing the cover fabric to form a mostly vertical orientation along the sides of the pipe. Repeat this step moving down the pipe.
13. Place 6 inches of Specified Sand along both sides of the modules edge. A minimum of 6 inches of Specified Sand is placed at the beginning and end of each module row. A minimum of 12 inches of Specified Sand is placed in between module rows.
14. Complete backfill with a minimum of 6 inches of clean porous fill measured from the top of the distribution pipe. Backfill exceeding 18 inches requires venting at the far end of the bed. Use well graded native soil fill that is clean, porous and devoid of large rocks. Do not use wheeled equipment over the system. A light track machine may be used with caution, avoiding crushing or shifting of pipe assembly.
15. Divert surface runoff from the system. Finish grade to prevent surface ponding. Topsoil and seed system area to protect from erosion.

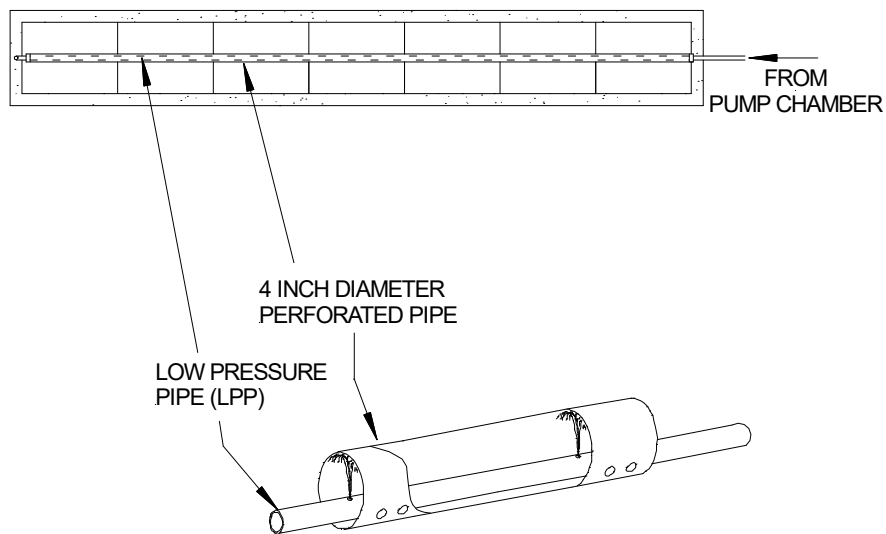
4.0 Dosing Distribution Guidance

DOSING DESIGN CRITERIA: Dosing volume must be set to deliver a maximum of **3 gallons per Module** per dosing cycle. Head loss and drain back volume must be considered in choosing the pump size and force main diameter.

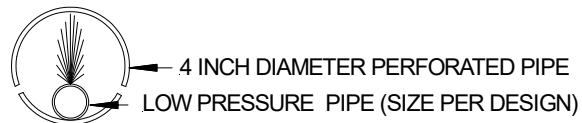
5.0 Pressure Distribution Guidance

Standard procedures for design of pressure distribution networks apply to the GSF filter. A minimum orifice size according to the regulations shall be maintained. A drain hole is required at the 6 o'clock position of each pressure lateral for drainage purposes. The lateral pipe network (*size per design and code*) is placed within a standard 4-inch perforated pipe. The perforation in the 4-inch outer pipe are set at the 4 and 8 o'clock position, the drilled orifices on the pressure pipe are set to spray at the 12 o'clock position directly to the top of the 4-inch perforated pipe as shown below.

FIGURE 10: PRESSURE PIPE PLACEMENT

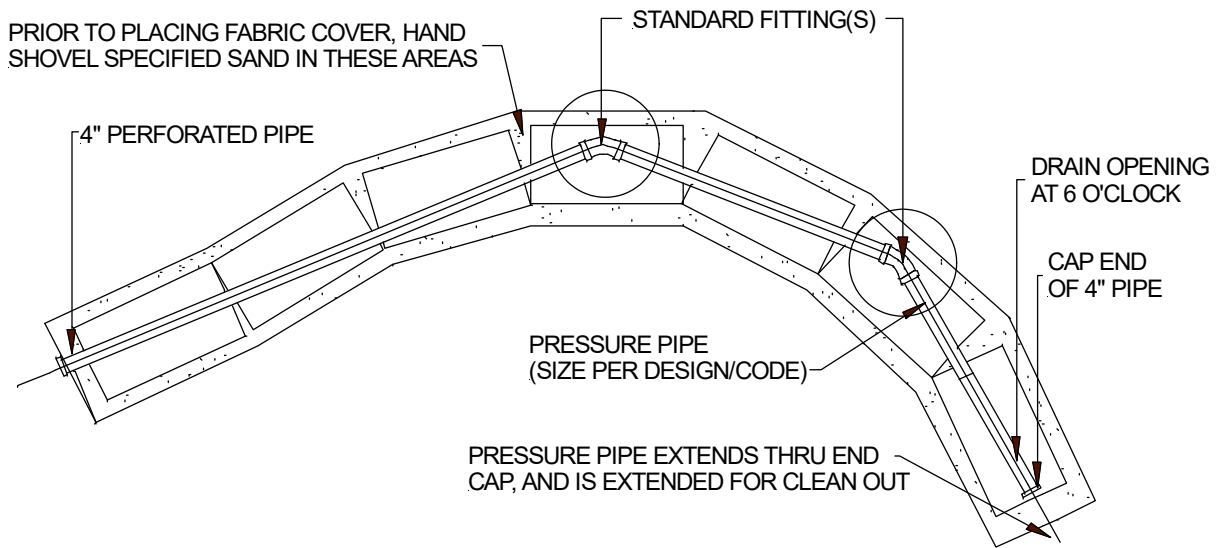


PRESSURE PIPE CROSS SECTION FOR ALL APPLICATIONS



5.0 Pressure Distribution Guidance

FIGURE 11: CONTOURED TRENCH PRESSURE DISTRIBUTION



GSF Pressure Distribution trench placed on a contour or winding trenches to maintain horizontal separation distances may also be used in Dosed or Gravity system by removing the pressure pipe and using the 4-inch diameter perforated distribution pipe.

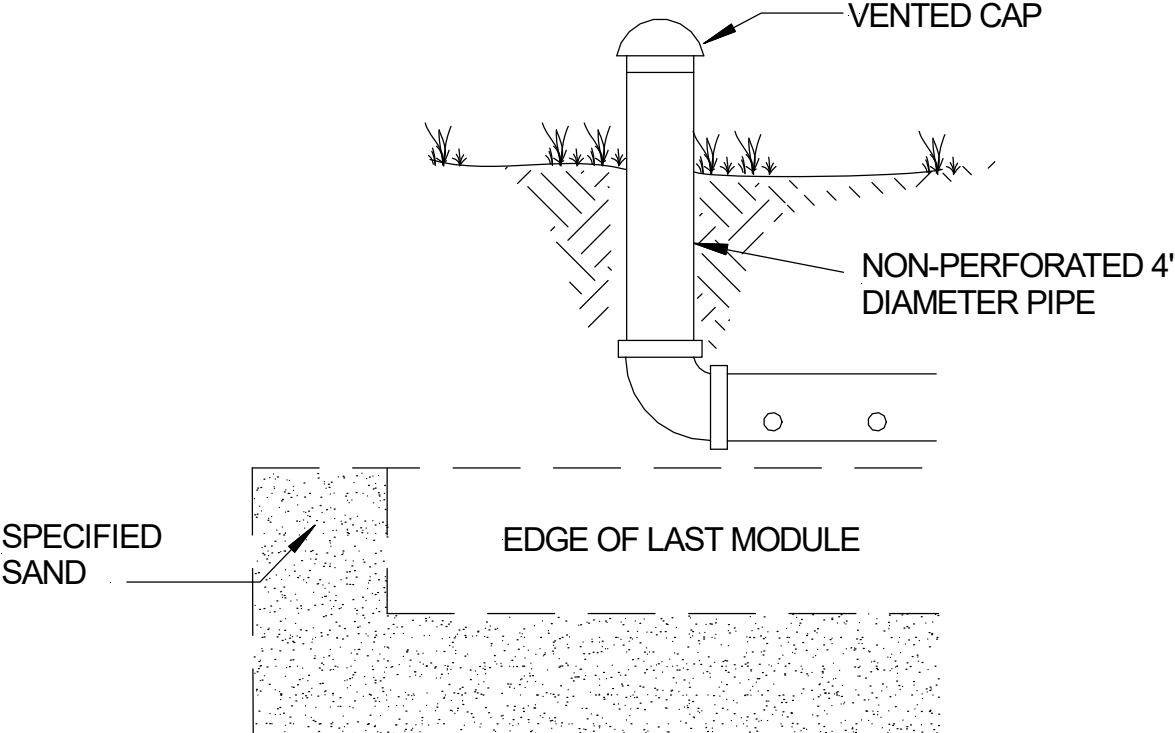
6.0 System Ventilation

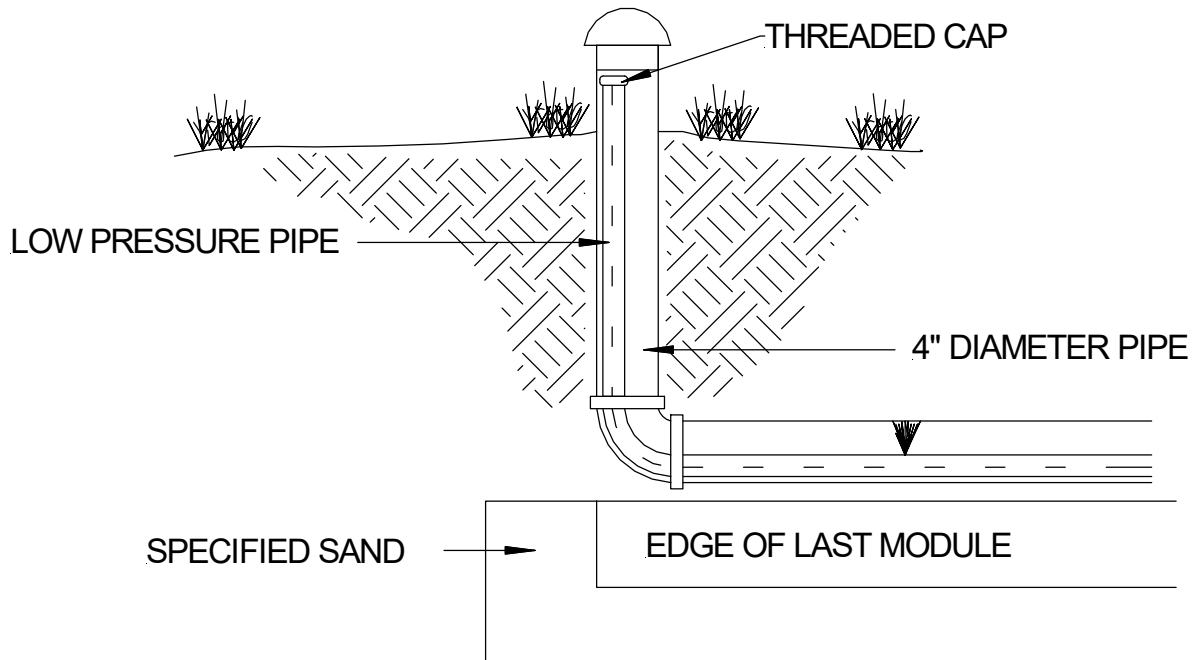
6.1 SYSTEM VENTILATION: Air vents are required on all absorption systems located under impervious surfaces or systems **with more than 18 inches of cover material** as measured from the top of the GSF module to finished grade. This will ensure proper aeration of the modules and sand filter. The GSF has aeration channels between the rows of GSF modules connecting to cuspations within the GSF modules. Under normal operating conditions, only a fraction of the filter is in use. The unused channels remain open for intermittent peak flows and the transfer of air.

6.2 VENT PIPE FOR GRAVITY AND LOW PRESSURE SYSTEMS: Systems with over 18" of cover over the top of the modules require a vent. If the system is a low pressure distribution system, ensure that the LPP clean outs are located in the vent for easy access.

6.0 System Ventilation

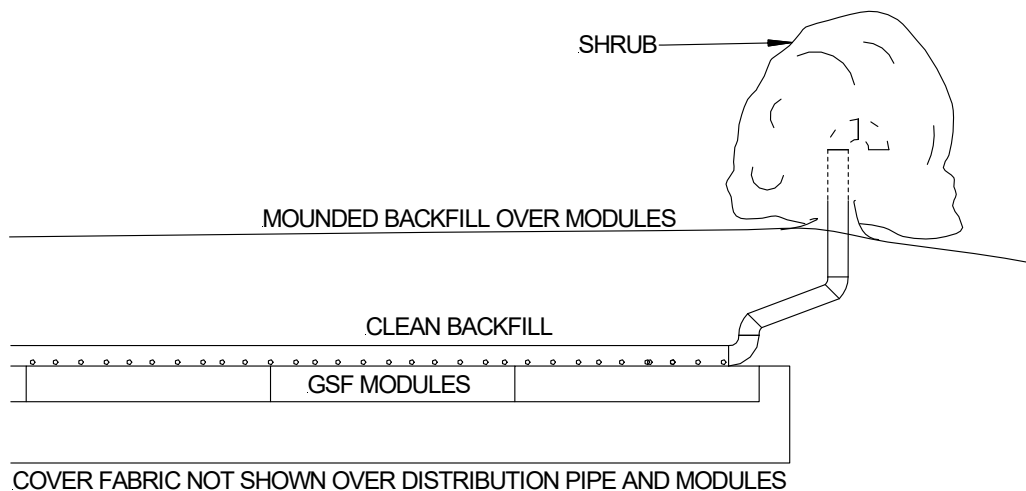
FIGURE 12: VENT LAYOUTS FOR GRAVITY AND LOW PRESSURE SYSTEMS





6.3 VENTILATION PLACEMENT: In a GSF system, the vent is usually a 4-inch diameter pipe extended to a convenient location behind shrubs, as shown in Figure 13. Corrugated pipe may be used. If using corrugated pipe, ensure that the pipe does not have any bends that will allow condensation to pond in the pipe. This may close off the vent line. The pipe must have an invert higher than the system so that it does not drain effluent.

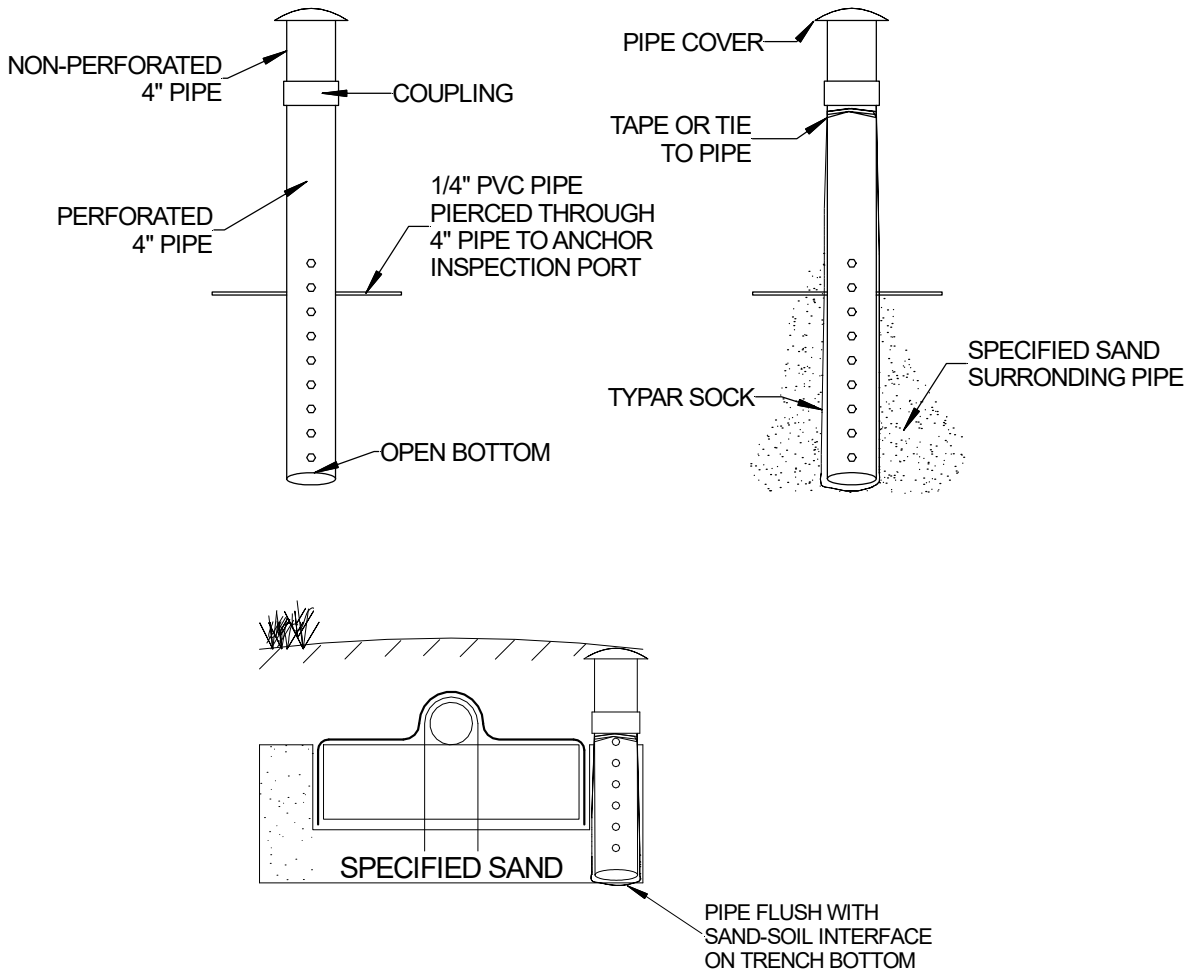
FIGURE 13: GSF WITH 4" VENT EXTENDED TO CONVENIENT LOCATION



7.0 Inspection/Monitoring Port

The system shall include an Inspection/Monitoring Port designed and installed with access from the ground surface. It shall be open and slotted at the bottom, and be void of sand or gravel to the infiltrative surface to allow visual monitoring of standing liquid in the absorption field. The figures below depict construction and placement of the Inspection/Monitoring Port.

FIGURE 14: INSPECTION PORT FOR SAND-SOIL INTERFACE



8.0 GSF Inspection Check List

Geotextile Sand Filter, (GSF) Checklist				
Facility Owner:				
Facility Address:				
Installation Date: (MDY)				
Previous Inspection Date: (MDY)				
Date of Inspection : (MDY)				
Residential Number of Bedrooms:				
Is this a Commercial Design? If yes what type:	Yes	No		
What is the estimated BOD5 and TSS strength?	BOD5	TSS	Comments	
Observation Port Location(s):	1	2	3	
Inspection Data, (complete all fields)				
Is daily flow within the system design flow? If no, explain:	Yes	No		
Does the owner verify the system use as described above? If no, explain:	Yes	No		
Septic tank last inspection date:	Date			
Inspected by:				
Septic tank last pumped date:				
Is pumping recommended?	Yes	No		
Condition of the soil absorption system: Wet, Dry, Firm, Soft, Vegetative, or Other. If Other, explain:	W	D	S	F V
Is there evidence of storm water flows or erosion over the septic system? If yes, explain:	Yes	No		

8.0 GSF Inspection Check List

Is there evidence of soil slump or compaction by traffic or other means in the vicinity of the soil absorption system? If yes, describe:	Yes	No	Comments
Is effluent visible through the observation port? If yes, describe the condition and the fluid level:	Yes	No	Comments
Is there a garbage disposal in the home?	Yes	No	Comments
Is a water softener connected to the system?	Yes	No	Comments
Are solids visible through the observation port? If yes, describe the condition and depth of solids:	Yes	No	Comments
Is there evidence of surcharging or effluent ponding in the D-Box? If yes, describe and measure:	Yes	No	Comments
Are the system vents in place?	Yes	No	Comments
Are they operational? If no, describe conditions and location:	Yes	No	
Describe any other pertinent issues:			

Inspected by:	
License Number:	
Date:	
Time:	
Print Name & Signature of Inspector:	
<p><i>I certify I have inspected the system at the above address, completed this report, and the information reported is true, accurate, and complete.</i></p>	

COMPANY HISTORY

Established in 1970, Eljen Corporation created the world's first prefabricated drainage system for foundation drainage and erosion control applications. In the mid-1980s, we introduced our Geotextile Sand Filter products for the passive advanced treatment of onsite wastewater in both residential and commercial applications. Today, Eljen is a global leader in providing innovative products and solutions for protecting our environment and public health.

COMPANY PHILOSOPHY

Eljen Corporation is committed to advancing the onsite industry through continuous development of innovative new products, delivering high quality products and services to our customers at the best price, and building lasting partnerships with our employees, suppliers, and customers.



90 Meadow Road, Windsor, CT 06095 • Tel: 800-444-1359 • Fax: 860-610-0427

www.eljen.com

