



Geotextile Sand Filter

Pan Sampling Port Installation Manual



eljen
CORPORATION

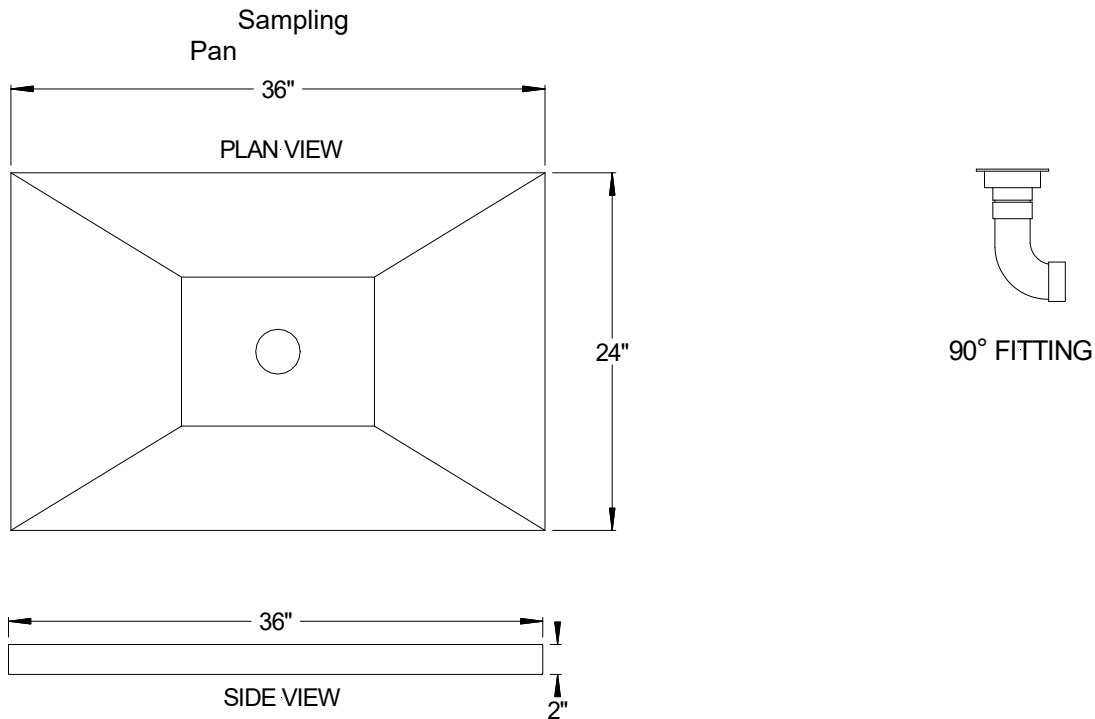
Innovative Onsite Products & Solutions Since 1970

January 2020
www.eljen.com

1.0 Sampling Port Parts

FIGURE 1: PARTS AND DEVICES

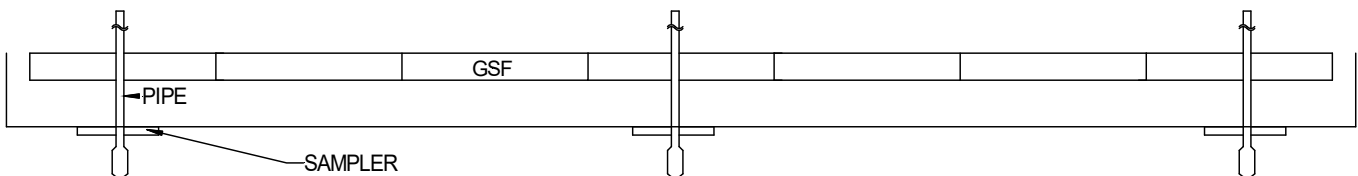
Field Sampling Parts to be installed with system:



2.0 Sampling Port Placement

1. Determine the collection pipe and sampling pan placement in the system. We recommend three samplers are placed in the same row. One sampler under the first module, one under the last, and one in the middle.

FIGURE 2: OBSERVATION AND SAMPLING PORT PREPARATION PLAN VIEW

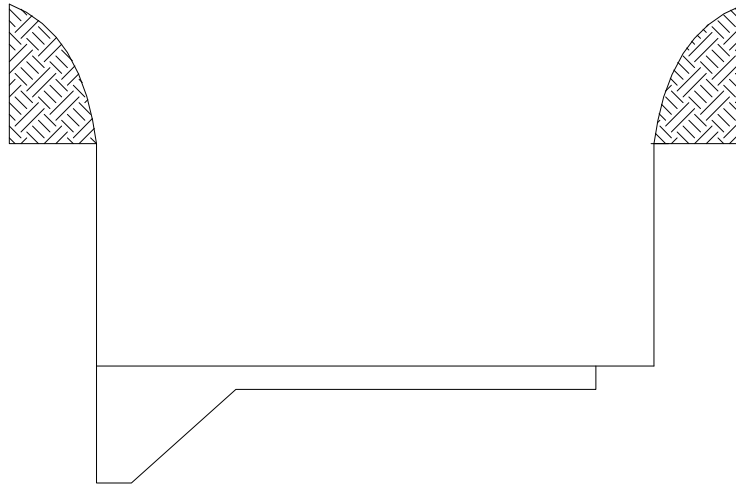


2. Carefully lay out the system area and boundaries.
3. Prepare the site. Excavate a trench to the design elevation for the system. *Note: this includes the Specified Sand.*

3.0 Sampling Port Installation

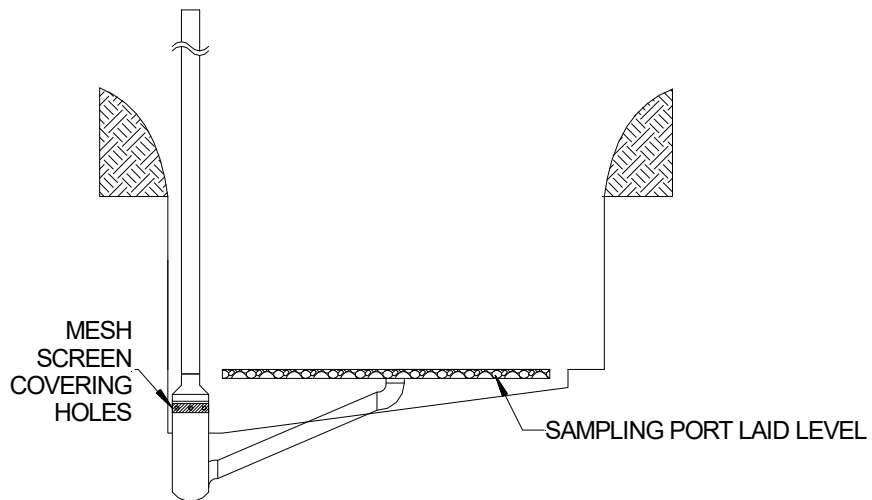
1. In the excavated trench, cut out the area for the sampling port.

FIGURE 3: PLACE BASE SAND



2. Place the three sampling pans level in the excavation at the beginning, middle and end of the row. The samplers should be centered underneath where the GSF modules will be placed.

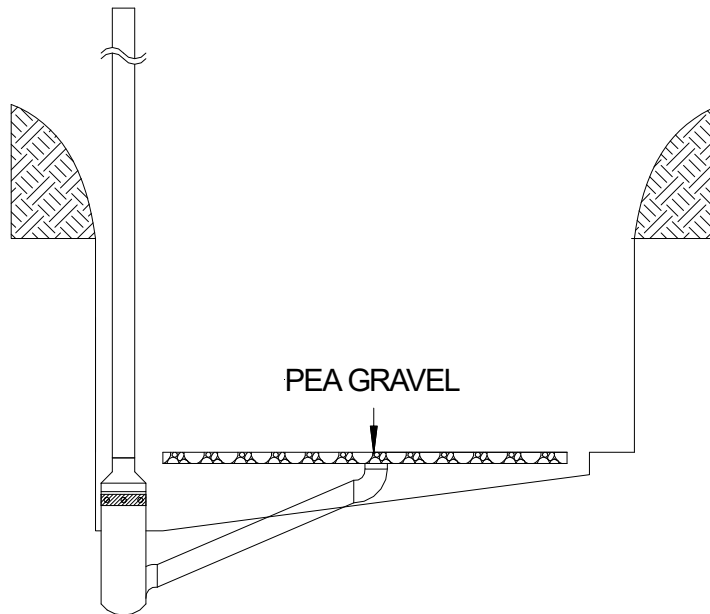
FIGURE 4: PLACE SAMPLERS ON SAND



3.0 Sampling Port Installation

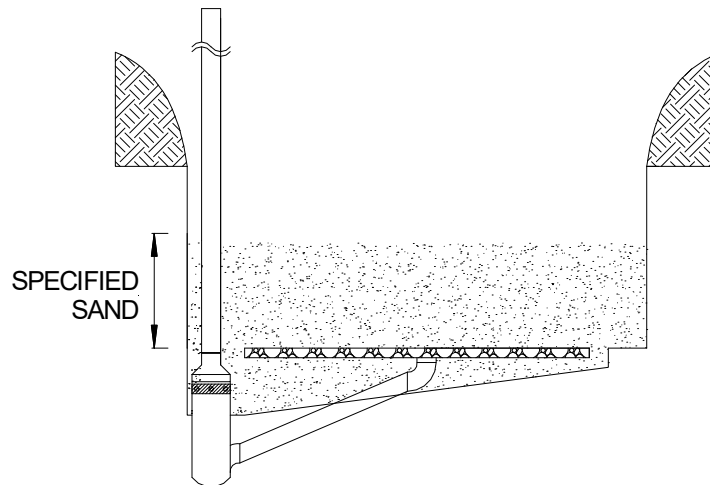
3. Fill Pan with pea gravel.

FIGURE 5: PLACE PEA GRAVEL IN PAN



4. Place the specified sand to required depth.

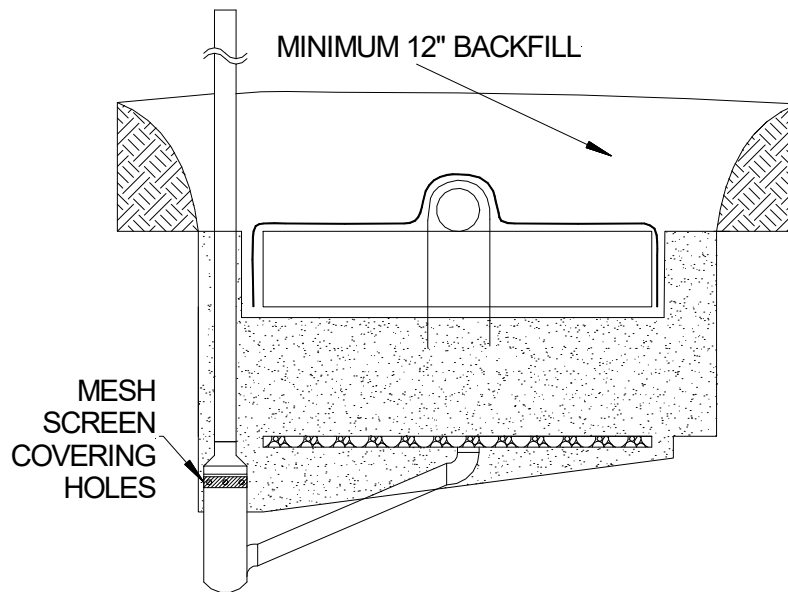
FIGURE 6: COMPLETE PLACING SPECIFIED SAND



3.0 Sampling Port Installation

5. Stabilize the Specified Sand height below the GSF module according to your state or local Design & Installation Manual. A hand tamper or vibratory compactor is sufficient to stabilize the Specified Sand below the GSF modules. Check the zero grade of the top of the Specified Sand using a flat piece of lumber and a carpenter's level and/or a laser before placing the modules.
6. After the GSF modules have been installed, carefully place backfill over the modules, followed by loam to complete a total minimum depth of 12 inches as measured from the top of the module. Backfill material shall be a well graded sandy fill; clean, porous, and devoid of rocks.

FIGURE 7: COMPLETE BACKFILL



7. Cap or place irrigation box over top of pipe. Mark so that service provider can find for sampling.
8. Divert surface runoff and finish grade to prevent surface ponding. Seed, loam, and protect from erosion.

4.0 Sampling Port Sampling

1. Sampling can be done in two days. Ensure there is power onsite with appropriate amount of extension cord for your shop-vac.
2. Empty the sampler the day prior to sampling. Clean with a water solution containing 200 ppm bleach.
3. The following day, ensure your sampling beaker is clean and ready to receive sample.
4. Uncap or open irrigation box.
5. Retrieve sample with clean suction device.
6. Cap or close irrigation box.
7. Return sample to lab for testing in a cool storage container.

COMPANY HISTORY

Established in 1970, Eljen Corporation created the world's first prefabricated drainage system for foundation drainage and erosion control applications. In the mid-1980s, we introduced our Geotextile Sand Filter products for the passive advanced treatment of onsite wastewater in both residential and commercial applications. Today, Eljen is a global leader in providing innovative products and solutions for protecting our environment and public health.

COMPANY PHILOSOPHY

Eljen Corporation is committed to advancing the onsite industry through continuous development of innovative new products, delivering high quality products and services to our customers at the best price, and building lasting partnerships with our employees, suppliers, and customers.



90 Meadow Road, Windsor, CT 06095 • Tel: 800-444-1359 • Fax: 860-610-0427

www.eljen.com

